

Cuisinart®

INSTRUCTION BOOKLET



Brew Central™ Coffeemaker

DCC-1200C Series

For your safety and continued enjoyment of this product, always read the instruction book carefully before using.

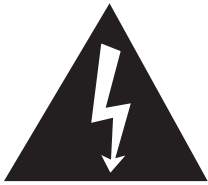
IMPORTANT SAFEGUARDS

When using an electrical appliance, basic safety precautions should always be followed to reduce the risk of fire, electric shock, and/or injury, including the following:

- 1. READ ALL INSTRUCTIONS BEFORE USING.**
- 2. Always unplug from outlet when not in use and before cleaning. Allow to cool before putting on or taking off parts and before cleaning the appliance.**
3. Do not touch hot surfaces. Use handles and knobs.
4. To protect against electric shock, do not place cord, plug, or base unit in water or other liquids.
5. Close supervision is necessary when any appliance is used by or near children.
6. Do not operate any appliance with a damaged cord or plug or after the appliance malfunctions or has been dropped or damaged in any manner. Return appliance to the nearest Cuisinart Repair Centre for examination, repair, and electrical or mechanical adjustment.
7. The use of accessory attachments not recommended by Cuisinart may cause injuries.
8. Do not use outdoors.
9. Do not let cord hang over edge of table or counter, or touch hot surface.
10. Do not place on or near a hot gas or electric burner, or in a heated oven.
11. Always fill water reservoir first, then plug cord into the wall outlet. To disconnect, turn to "OFF", then remove plug from wall outlet.
12. Do not use appliance for other than intended use.
13. Snap lid securely onto carafe before serving any beverages.
14. Scalding may occur if the lid is removed during the brewing cycle.
15. The glass carafe is designed for use with these appliances only. It must never be used on the range top.
16. Do not set a hot carafe on a wet or cold surface.
17. Do not use a cracked carafe or a carafe having a loose or weakened handle.
18. Do not clean carafe or warming plate with cleansers, steel wool pads, or other abrasive materials.
19. **WARNING: TO REDUCE THE RISK OF FIRE OR ELECTRIC SHOCK, DO NOT REMOVE THE BASE PANEL. NO USER SERVICEABLE PARTS ARE INSIDE. REPAIR SHOULD BE DONE ONLY BY AUTHORIZED PERSONNEL.**
20. Avoid contact with moving parts.
21. **CAUTION:** Do not operate your appliance in an appliance garage or under a wall cabinet. When storing any appliance in an appliance garage always unplug the unit from the electrical outlet. Be sure the appliance does not touch the interior wall of the appliance garage, and the door does not touch the unit as it closes. Contact could cause the unit to turn ON, creating a risk of fire.

SAVE THESE INSTRUCTIONS FOR HOUSEHOLD USE ONLY

WARNING: RISK OF FIRE OR ELECTRIC SHOCK



The lightning flash with arrowhead symbol, within an equilateral triangle, is intended to alert the user to the presence of uninsulated dangerous voltage within the product's enclosure that may be of sufficient magnitude to constitute a risk of fire or electric shock to persons.



The exclamation point within an equilateral triangle is intended to alert the user to the presence of important operating and maintenance (servicing) instructions in the literature accompanying the appliance.

SPECIAL CORD SET INSTRUCTIONS

A short power-supply cord is provided to reduce the risks resulting from becoming entangled in or tripping over a longer cord.

Longer extension cords are available and may be used if care is exercised in their use.

If a long extension cord is used, the marked electrical rating of the extension cord must be at least as great as the electrical rating of the appliance, and the longer cord should be

arranged so that it will not drape over the countertop or tabletop where it can be pulled on by children or tripped over.

NOTICE

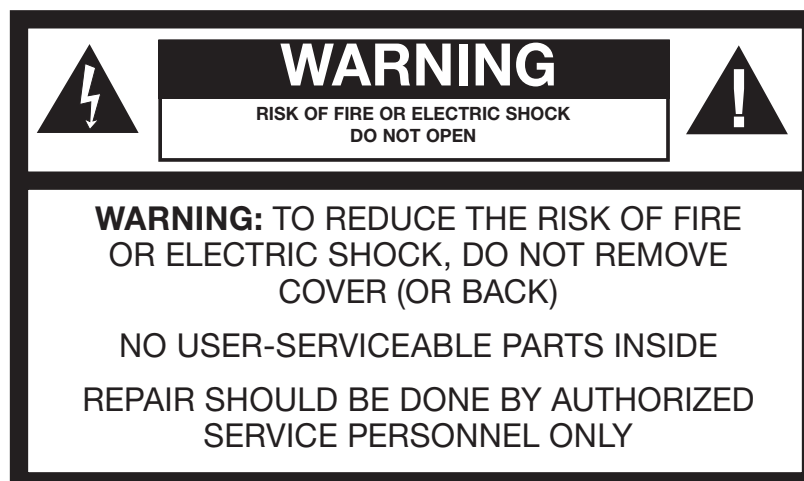
This appliance has a polarized plug (one blade is wider than the other). To reduce the risk of electric shock, this plug will fit into a polarized outlet only one way. If the plug does not fit fully into the outlet, reverse the plug. If it still does not fit, contact a qualified electrician.

Do not modify the plug in any way.

OPERATING NOTICE

Clogging and backing up of water and/or coffee in the filter basket can occur under any or a combination of any of the following conditions: The use of too finely ground coffee, using two or more paper filters, using a gold tone filter in conjunction with a paper filter or not properly cleaning coffee grounds from the gold tone filter, or allowing coffee grounds to spill over the filter.

Caution: Never open the filter basket during the brewing cycle, even if no water is draining from the filter basket, since extremely hot water/coffee can spill out from the filter basket and cause injury. If water/coffee is not draining from the filter basket during the brewing cycle, unplug the unit and wait 10 minutes before opening and checking the filter basket.



IMPORTANT UNPACKING INSTRUCTIONS

1. Place the box on a large, sturdy flat surface.
2. Remove the instruction book and any other literature.
3. Turn the box so that the back side of the coffeemaker is down and slide the coffeemaker from the box.
4. After the coffeemaker has been removed, place the box out of the way and lift off the packaging material.
5. Remove the cardboard insert between the carafe lid and Brew Pause™ mechanism by sliding it out of the unit.
6. Grasp the carafe by its handle, remove it from the resting plate and remove the polybag.
7. Lift the coffeemaker off the remaining two inserts and remove the polybag covering the coffeemaker.

We suggest you save all packing materials in the event that future shipping of the machine is needed. Keep all plastic bags away from children.

CONTENTS

Important Safeguards	1
Unpacking Instructions	3
Introduction	3
The Quest for the Perfect Cup of Coffee	4
Features and Benefits	5
Control Panel	5-6
Programming Your Coffeemaker	7
Setting the Time	7
Programming the Auto On	7
Programming the Variable Auto Off	7
Making Coffee	8
Changing the Water Filter	8
Cleaning and Maintenance	10
Warranty	11

INTRODUCTION

Cuisinart introduces retro styling and the latest high tech features in a coffeemaker that will be the centerpiece of any kitchen.

The Cuisinart® Brew Central™ Coffeemaker is reminiscent of the days of classic styling and durable materials. A brushed metal exterior with retro style controls houses the finest coffeemaking technology. This coffeemaker even includes a charcoal water filter. The water filter ensures great tasting coffee by removing all of the impurities from the water. The Brew Central™ Coffeemaker also comes with advanced features such as a programmable digital clock with 24-hour advanced-brew setting, an automatic shutoff, self-cleaning function, and an audible beep that signals the end of the brew cycle, which makes brewing the best tasting coffee easy.

THE QUEST FOR THE PERFECT CUP OF COFFEE

It is generally agreed that there are four basic elements critical to the perfect cup of coffee:

Element 1: Water

Coffee is 98% water. Often overlooked, the quality of the water is as important as the quality of the coffee. A good rule of thumb is that if your water doesn't taste good from the tap, it won't taste any better in your coffee. That's why Cuisinart has added a water filter to the Brew Central™ Coffeemaker. The charcoal water filter removes chlorine, calcium, bad tastes and odours, for the purest cup of coffee every time.

Element 2: Coffee

While the bulk of the liquid is water, all of the flavour should be from the coffee. To achieve the same great quality cup of coffee you receive at a coffee bar, you need to use the same quality beans. If you choose to grind your own beans, buy the beans fresh and whole, only about a two-week supply at a time for maximum freshness. Once the coffee bean is broken, its flavour degrades very quickly. If it is not practical to buy small supplies, we recommend you separate larger amounts of beans into one- to two-week portions immediately after purchasing, and freeze them in airtight containers. The best way to maximize freshness is to minimize exposure to air, light and moisture. So, once removed from the freezer, beans should be maintained in a sealed container at room temperature, since damaging condensation occurs every time the beans are removed from the freezer or refrigerator. Note that some coffee experts advise against freezing dark-roast beans because this can cause the oils to coagulate, while other experts disagree. We suggest you experiment and decide for yourself.

Element 3: Grind

The grind is critical for proper flavour extraction. If the grind is too fine, overextraction and bitterness will result. Too fine a grind may also clog your filter. If grind is too coarse, the water will pass through too quickly and the desired flavours will not be extracted. We recommend a medium-fine grind.

Element 4: Proportion

The cups on the Cuisinart coffeemaker are 5 ounces (142 ml). Add the amount of ground coffee that corresponds to the number of cups being brewed. Many coffee bars and the Specialty Coffee Association of America recommend adding 2 rounded tablespoons (25 ml) of coffee per 6 ounces (175 ml) of water. Some coffee manufacturers recommend using one tablespoon (15 ml) per cup. We recommend using 1 tablespoon (15 ml) of ground coffee per cup, but use more or less to suit your taste.

NOTE: The maximum capacity for ground coffee is 15 tablespoons (225 ml) for this 12 cup coffeemaker. Exceeding these amounts may cause overflow if the coffee is too finely ground.

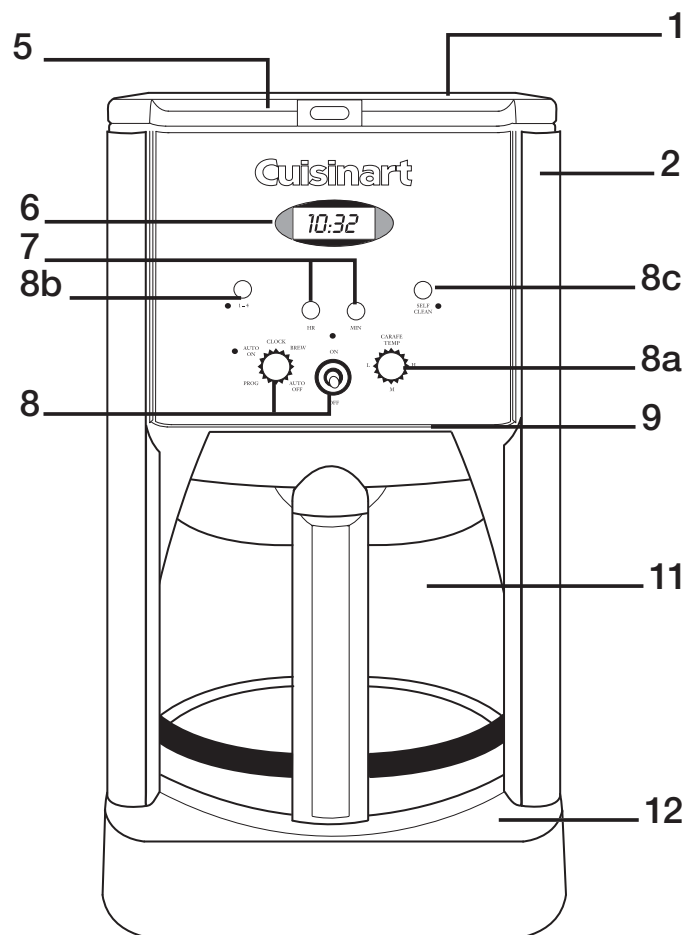
FEATURES AND BENEFITS

- 1. Reservoir Cover**
Flips back for easy filling.
- 2. Water Reservoir**
- 3. a. Showerhead (not shown)**
Distributes water evenly over coffee, reducing temperature loss as water passes through grounds.
b. Water Filter (not shown)
Charcoal water filter eliminates chlorine, calcium, bad tastes and odours from tap water.
- 4. Filter Basket (not shown)**
Holds a #4 paper filter or a permanent filter.
- 5. Filter Basket Holder**
- 6. LCD Digital Clock**
Displays time of day and set time for automatic functions.
- 7. Hour and Minute Buttons**
Used to set time of day and automatic functions.
- 8. Function Knob and Flip Switch**
Used to initiate programming of automatic functions.
 - a. Heater Plate Control Knob**
For controlling the temperature of the coffee after brewing. It has three temperature settings.
 - b. 1-4 Cup Setting**
For brewing smaller pots of coffee. It provides 'double' heating of the water, so coffee is piping hot.
 - c. Self-Clean Setting**
Tells you when it's time to clean your coffeemaker. Remove buildup calcification from the water reservoir, helping to extend the life of your coffeemaker.

- 9. Brew Pause™**
Stops flow of coffee from basket when carafe is removed (30 seconds max) from the heater plate, so a cup can be poured in mid-brew. Since the extraction rate varies during the brew cycle, we recommend allowing the brewing cycle to finish before pouring the coffee.
- 10. Ready Tone (not shown)**
Signals the end of the brew cycle with five beeps.
- 11. Carafe**
The easy pour, no drip carafe has an ergonomic handle and brewed coffee markings for two to twelve cups.
- 12. Heating Plate**
Scratch resistant with black, nonstick coating.

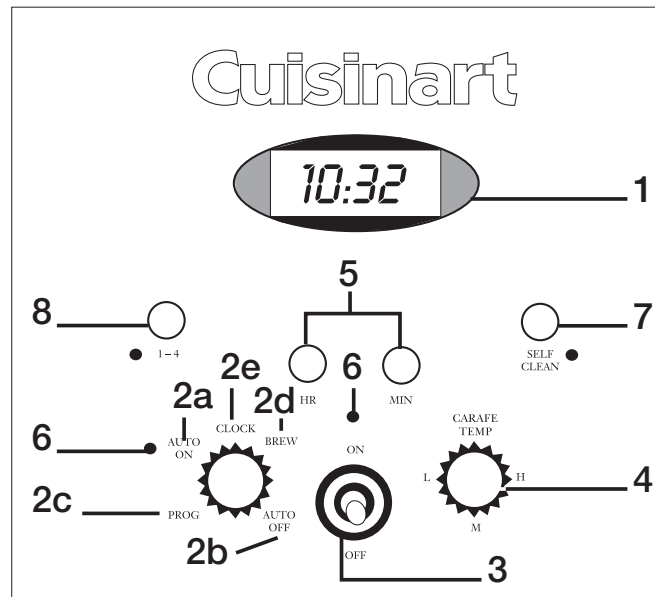
CONTROL PANEL

- 1. Clock Display**
Displays time of day and auto on time.



2. Function Knob

For setting time of day, and auto on time.



a. Auto On

The Auto On feature is used to program the start time of the brew cycle. The auto on time can be set for any time, day or night. The PM indicator is displayed on the LCD for nighttime program times.

b. Auto Off

The Auto Off function is used to shut off the coffeemaker at a pre-set time, anywhere from 0 to 4 hours.

c. Program Set

The Program Set function is used to set the time for the Auto On function.

d. Brew

The Brew function is used to start the brew cycle directly.

e. Clock Set

Used to program the time of day.

f. Audible Tone (not shown)

The Brew Central™ Coffeemaker is equipped with an audible tone which will sound 5 times when the coffee has completed brewing (coffee will continue to stream from the filter for a few seconds after tone).

3. Flip Switch

Retro-style flip switch is used to turn your coffeemaker on and off and works in tandem with the function knob.

4. Heater Plate Control Knob

For controlling the temperature of the coffee after brewing. It has high, medium and low settings.

5. Hour and Minute Buttons

For use in setting hour and minute for time of day and auto on time.

6. On and Auto On Indicator Lights

7. Self Clean Setting

Used for removing calcium buildup.

8. 1-4 Cup Setting

For brewing smaller pots of coffee – it provides double heating of the water, so coffee is piping hot.

PROGRAMMING YOUR COFFEEMAKER

TO BREW COFFEE

1. To turn the coffeemaker on and off:

- a. **Turn on:** To turn coffeemaker on, turn the function knob to the “Brew” position. Lift the flip switch up and release. The red “on” indicator light illuminates and brewing cycle starts.
- b. **Turn off:** Depress the flip switch down and release.

2. To set the time:

Turn the function knob to “Clock”. Push and hold or pulse the “Hour” or “Minute” buttons to set the time of day. Turn the function knob to any other setting to begin time, or simply wait until the numerals stop blinking.

- a. **“Hour” Button:** To change the hour, press the “Hour” pushbutton. Pressing and holding the pushbutton will cause hours to increase more rapidly. Pulse the pushbutton to increase hour more slowly. When the number count passes 12, the PM light activates and will be displayed on the LCD. After setting the time, the default hour is the last time set unless power is lost.

- b. **“Minute” Button:** To change the minute, press the “Minute” pushbutton. Pressing and holding the pushbutton will cause minutes to increase more rapidly. Pulse the pushbutton to increase minutes more slowly. After setting the time, the default minute is the last time set, unless power is lost.

Note: As you scroll, the numbers will advance slowly at first and then speed up to the rate of about three per second. When the number displayed approaches the desired setting, release the button and press repeatedly to advance one digit at a time.

3. To program the Auto On:

Turn the function knob to “Program” to set the desired time to engage the Auto On. Change the auto on time in the program setting using the minute and hour pushbuttons, as you would to set the time of day. Then turn the function knob to “Auto On”. The LCD will display the current time. Lift and release the flip switch. The green light comes on to signal that the programming function is in use, and the brewing cycle will begin at the programmed time. At the programmed time, the green light will stay on and the red light will come on, indicating that the brewing cycle is starting.

To turn off: Depress the flip switch down and release. Note: To activate the auto-on feature again for brewing the next day, you must lift and release the flip switch; the green auto-on light will turn on.

4. To program the Variable Auto Off:

Turn the function knob to the “Auto Off” position. Press and hold the “Hour” button for two seconds, until the clock display starts blinking. To change the hour and minutes, use the pushbuttons as you would to set the time of day. The Auto Off time can be set from zero to four hours.

5. Decalcification:

Decalcification refers to removing calcium deposits which form on the metal parts of the coffeemaker over time.

For best performance from your Brew Central™ Coffeemaker, decalcify the base unit from time to time. The frequency depends upon the hardness of your tap water and how often you use the coffeemaker. The flashing Self Clean light will indicate when you should clean your coffeemaker.

Self Cleaning:

If the Self Clean light begins to flash when the coffeemaker is turned on, it is telling you that the calcium buildup is interfering with the functioning of your coffeemaker and the flavour of your coffee. To clean, fill the water reservoir to capacity with a mixture of $\frac{1}{3}$ white vinegar and $\frac{2}{3}$ water. Press the Self Clean button. When the self clean light glows, turn the coffeemaker on by pressing the ON button. The self clean light will shine steadily. The coffeemaker is now in Self Clean mode. One cycle should be sufficient to adequately clean the coffeemaker. When the cycle is completed and the five beeps sound, the coffeemaker will shut off. Turn the coffeemaker ON to see if the Self Clean light continues to flash. If it does, turn it to OFF and then repeat the cleaning procedure with a fresh solution of vinegar and water.

If the Self Clean light no longer flashes, turn the coffeemaker to OFF and then run one cycle of fresh cold water through the unit before using the unit again to brew coffee.

Notes on the Self Clean Function

Pressing the Self Clean button cancels all other settings. If it is pressed accidentally, press it again to return the coffeemaker to all its previous settings. Pressing ON/OFF will also exit the Self Clean Mode and turn the coffeemaker OFF.

6. 1-4 Cup Setting:

The 1-4 cup setting button is used when you make small amounts of coffee. Normal coffeemakers will produce a colder batch of coffee when smaller amounts are made, because the heater doesn't have enough time to properly 'warm up' to heat a small amount.

The 1-4 setting basically 'double heats' the water, making your smaller amount as piping hot as a full pot would be.

To use: When making a smaller amount, press the 1-4 button on the control panel after turning on the unit.

7. Heater Plate 'Keep Warm' Control:

The knob on the right of the control panel is the heater plate control setting for after

brewing temperature. You can choose one of three heat settings to keep your coffee warm: low, medium, or high.

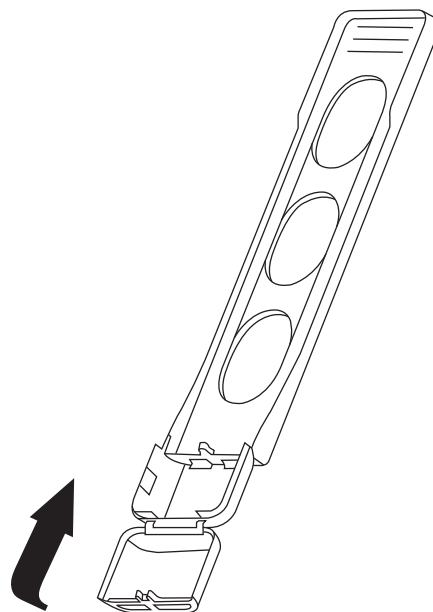
MAKING COFFEE

Before you make the first pot of coffee in your new Cuisinart® Brew Central™ Coffeemaker, we recommend operating the coffeemaker once using only water and a filter paper. This will remove any dust or residues that remain in the system from the manufacturing process.

1. Insert the Water Filter

- Remove the filter from polybag and soak in cold tap water for 15 minutes.
- Remove the water filter holder from the coffeemaker by lifting it out of the reservoir area with your thumb and forefinger.
- Grasp stem in one hand. Using thumb of other hand, gently press down and pull toward you. Compartment will flip open.
- Place the filter in the holder and close the water filter holder; you will hear a snap indicating it is in place.

NOTE: Caution must be used when inserting the charcoal filter. Improper placement in the holder can cause tearing of the filter skin.



-
- e. Hold the filter under cold running tap water for 10 seconds to flush. You should place the hole openings in the side of the unit directly under the water stream.
 - f. Allow the filter to drain completely.
 - g. Replace the water filter holder in the reservoir area of the coffeemaker, pushing it all the way down to the base of the unit, along the reservoir wall.

NOTE: We recommend changing the water filter every 60 days or 60 uses – more often if you have hard water.

Replacement water filters can be purchased in stores, by calling customer service, or through the Cuisinart website, www.cuisinart.ca

2. Fill the water reservoir

When filling the coffeemaker with water, refer to the carafe height markings and fill to the desired number of cups. Be sure to add a small amount of extra water to account for the amount of water lost in wetting the grounds and lost as steam during the brewing process.

3. Add the ground coffee

Remove the filter basket by grasping the handle and lifting straight up, and then place it on the countertop. Insert a #4 paper filter or permanent filter. Be sure that the paper filter is completely open and fully inserted in the basket. It may help to fold and flatten the seams of a paper filter beforehand.

Add the desired amount of ground coffee, corresponding to the number of cups being brewed. Many coffee bars and the Specialty Coffee Association of America recommend adding 2 rounded tablespoons (25 ml) of coffee per 6 ounces (175 ml) of water. Some coffee manufacturers recommend using one tablespoon (15 ml) per cup. We recommend using 1 tablespoon (15 ml) of ground coffee per cup, but use more or less to suit your taste.

Note: The maximum capacity for ground coffee is 15 tablespoons (225 ml) for this 12 cup coffeemaker. Exceeding these amounts may cause overflow if the coffee is too finely ground.

Replace the filter basket in the filter basket holder. Ensure filter basket snaps firmly into place (apply downward pressure to lock). Flip the water reservoir lid closed. Press firmly on top where it says “Press to Close”. Be sure that it closes securely in place.

Before brewing coffee

Make sure you have replaced the glass carafe in its position on the warming plate and closed the top cover. Plug the cord into an electrical outlet.

4. Power unit

Turn the function knob to brew, lift flip switch up to “On” position, and the red indicator light will turn on. Or, set the Auto On function and the green indicator will light.

5. During and after brewing:

The Brew Pause™ feature allows you to remove the carafe from the plate during mid-brew. The brewing process does not stop during this period – only the flow of coffee from the basket stops. Do not remove the carafe for longer than 30 seconds or the coffee may overflow the basket. While we offer this feature, we do not recommend that you pour the coffee before the cycle has reached completion, since the coffee brewed at the beginning of the cycle has a flavour profile which is very different from the flavour at the end of the cycle. Removing a cup during the brewing cycle will alter the flavour of the finished pot.

Once the coffee has finished brewing, stir it before serving to blend the flavours. The coffee at the bottom of the carafe will be somewhat stronger than the coffee at the top.

CLEANING AND MAINTENANCE

Always turn coffeemaker OFF and remove the plug from the electrical outlet before cleaning.

Lift up the reservoir cover. Remove and discard the paper filter and ground coffee. The filter basket can be washed in warm, soapy water and rinsed thoroughly, or leaned in the upper rack of the dishwasher. Dry all parts after use.

Do not put any water in the unit once the filter basket has been removed. Wipe the area under the filter basket with a damp cloth.

Remove the carafe from the heating plate. Discard any remaining coffee. The carafe and lid can be washed in warm, soapy water and rinsed thoroughly, or placed in a dishwasher.

The carafe and carafe lid should be placed on the upper rack only. Do not use any scouring agents or harsh cleansers on any part of the coffeemaker.

Never immerse base unit in water or other liquid. To clean base, simply wipe with a clean, damp cloth and dry before storing.

Fingerprints and other blemishes on the brushed metal housing can be washed off with soap and water or a nonabrasive cleaning solution. Wipe warming plate with a clean, damp cloth. Never use rough, abrasive materials or cleansers to clean the warming plate. Do not dry the inside of the water reservoir with a cloth, as lint may remain.

Any other servicing should be performed by an authorized service representative.

WARRANTY LIMITED THREE-YEAR WARRANTY

We warrant that this Cuisinart product will be free of defects in material or workmanship under normal home use for 3 years from the date of original purchase.

This warranty covers manufacturer's defects including mechanical and electrical defects. It does not cover damage from consumer abuse, unauthorized repairs or modifications, theft, misuse, or damage due to transportation or environmental conditions. Products with removed or altered identification numbers will not be covered.

This warranty is not available to retailers or other commercial purchasers or owners.

If your Cuisinart product should prove to be defective within the warranty period, we will repair it or replace it if necessary.

For warranty purposes, please register your product online at www.cuisinart.ca to facilitate verification of the date of original purchase and keep your original receipt for the duration of the limited warranty. This warranty excludes damage caused by accident, misuse or abuse, including damage caused by overheating, and it does not apply to scratches, stains, discolouration or other damage to external or internal surfaces that does not impair the functional utility of the product. This warranty also expressly excludes all incidental or consequential damages.

Your Cuisinart product has been manufactured to the strictest specifications and has been designed for use only in 120 volt outlets and only with authorized accessories and replacement parts. This warranty expressly excludes any defects or damages caused by attempted use of this unit with a converter, as well as use with accessories, replacement parts or repair service other than those authorized by Cuisinart.

If the appliance should become defective within the warranty period, do not return the appliance to the store. Please contact our Customer Service Centre:

Toll-free phone number:
1-800-472-7606

Address:

Cuisinart Canada
100 Conair Parkway
Woodbridge, Ont. L4H 0L2
Email: consumer_Canada@conair.com
Model: DCC-1200C

To facilitate the speed and accuracy of your return, please enclose:

- \$10.00 for shipping and handling of the product (cheque or money order)
- Return address and phone number
- Description of the product defect
- Product date code*/copy of original proof of purchase
- Any other information pertinent to the product's return

* Product date code can be found on the underside of the base of the product. The product date code is a 4 or 5 digit number. Example, 90630 would designate year, month & day (2009, June 30th).

Note: We recommend you use a traceable, insured delivery service for added protection. Cuisinart will not be held responsible for in-transit damage or for packages that are not delivered to us.

To order replacement parts or accessories, call our Customer Service Centre at 1-800-472-7606.

For more information, please visit our website at www.cuisinart.ca

Cuisinart®

S A V O R T H E G O O D L I F E®



Coffeemakers
Cafetières



Ice Cream
Maker
Sorbetières



Toaster Ovens
Four grilloirs



Blenders
Mélangeurs



Cookware
Batterie de
cuisine

Cuisinart® offers an extensive assortment of top quality products to make life in the kitchen easier than ever. Try some of our other countertop appliances and cookware, and Savor the Good Life®.

Cuisinart^{MD} offre une vaste gamme de produits de grande qualité qui facilitent la vie dans la cuisine comme jamais auparavant. Essayez nos autres appareils de comptoir et ustensiles de cuisson et savourez la bonne vie^{MD}.

www.cuisinart.ca

©2012 Cuisinart
100 Conair Parkway
Woodbridge, ON L4H 0L2

Consumer Call Centre E-mail:
Centre d'appel des consommateurs
Consumer_Canada@Conair.com
1-800-472-7606

Printed in China / Imprimé en Chine
11CC128046

Any trademarks or service marks of third parties used herein are the trademarks or service marks of their respective owners.

Toutes les autres marques de commerce ou de service utilisées dans le présent document appartiennent à leurs propriétaires respectifs.

IB-3798A-CAN-I